

## VOLUMES

VOID RATIO: 95%  
DISPLACEMENT VOL.: 17.06 CF  
STORAGE VOL.: 16.21 CF

## DIMENSIONS

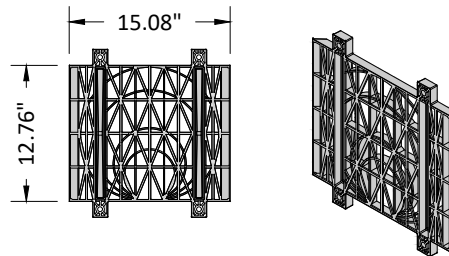
LENGTH: 30.32"  
WIDTH: 15.16"  
HEIGHT: 64.17"

## MATERIAL

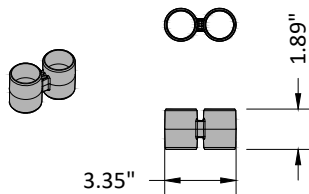
100% RECYCLED POLYPROPYLENE

## LOAD CAPACITY

VERTICAL RATING: 60 PSI  
LATERAL RATING: 35 PSI  
AASHTO LRFD: H-10  
HS-20  
HS-25

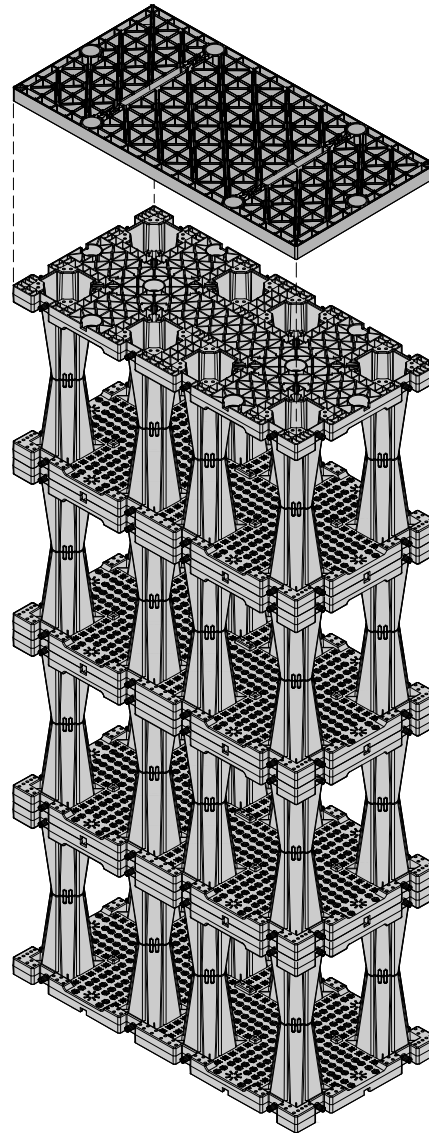


**SIDE PLATE**  
TO BE INSTALLED ON THE  
PERIMETER OF THE SYSTEM

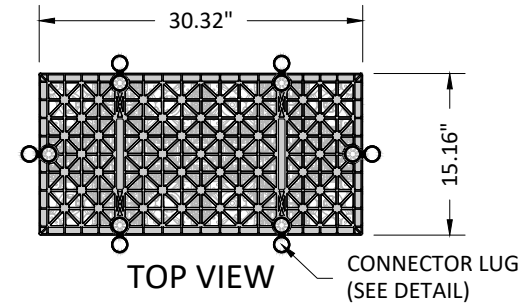


NOTE:  
CONNECTOR LUGS TO BE USED TO JOIN  
ADJACENT AND UPPER MODULES AS NEEDED.

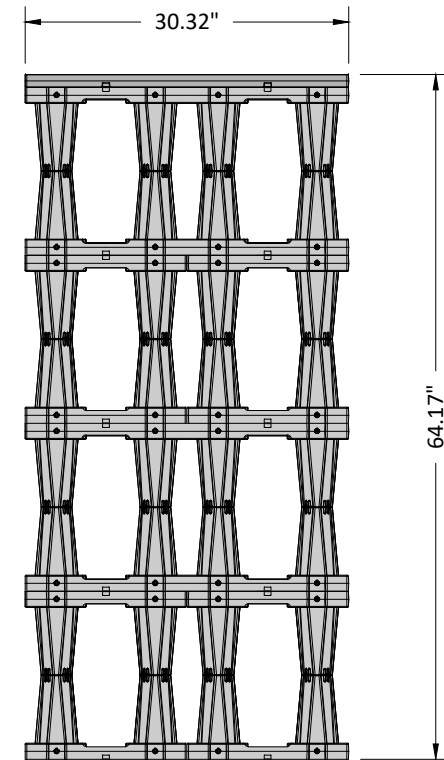
**CONNECTOR LUG**  
ENLARGED FOR CLARITY



ISOMETRIC VIEW



TOP VIEW



SIDE VIEW

**RAINVAULT**  
UNDERGROUND DETENTION SYSTEM

**Ripple** Stormwater Technologies  
FOR ADDITIONAL INFORMATION PLEASE CONTACT:  
RIPPLE STORMWATER TECHNOLOGIES  
804-400-9490 | WWW.RIPPLESTORMWATER.COM

RAINVAULT 4.0

REV. DATE  
03/14/2024

NOT TO SCALE